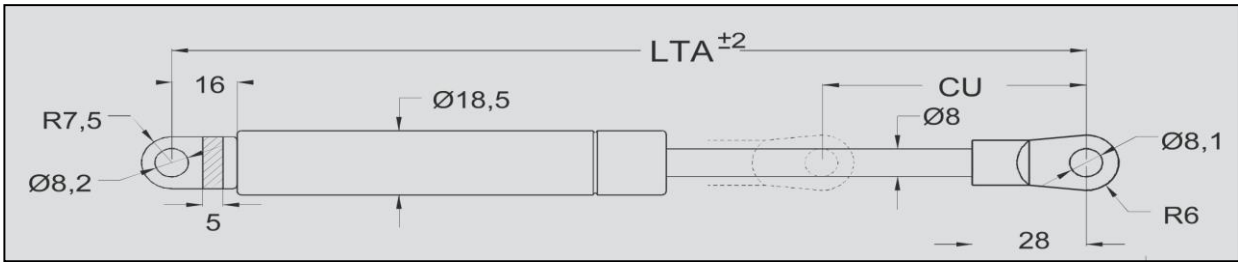
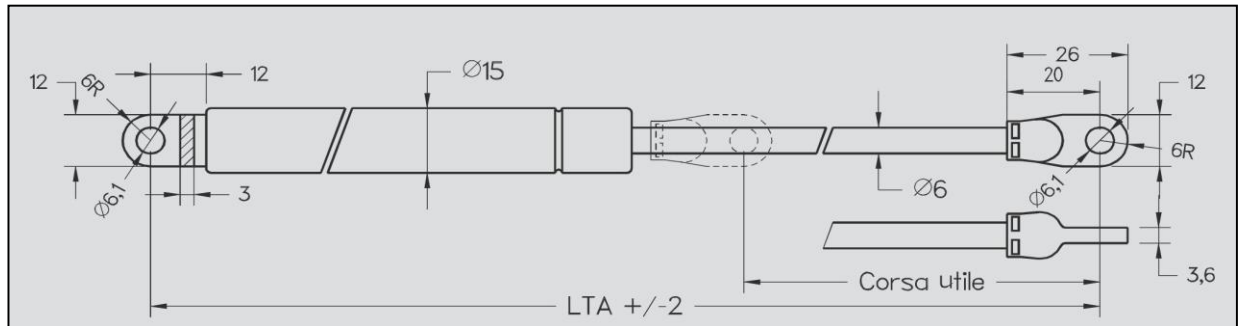


GAS SPRINGS



	LTA open (mm)	CU (mm)	LTA closed (mm)	x=Strength (Kg)
SOLIMAR1.x.F8	532	215	317	10 - 15 - 20 - 25 - 30 - 50
SOLIMAR2b.x.F8	462	180	282	10 - 15 - 20 - 25 - 30



	LTA open (mm)	CU (mm)	LTA closed (mm)	x=Strength (Kg)
SOLIMAR3.8.F6	267	97,2 (100-2,8)	164,2	8
SOLIMAR3.8.S6	287	97,2 (100-2,8)	184,2	8

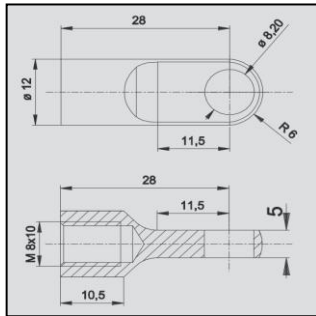
x = STRENGTH (Kg)

F = STANDARD FITTING

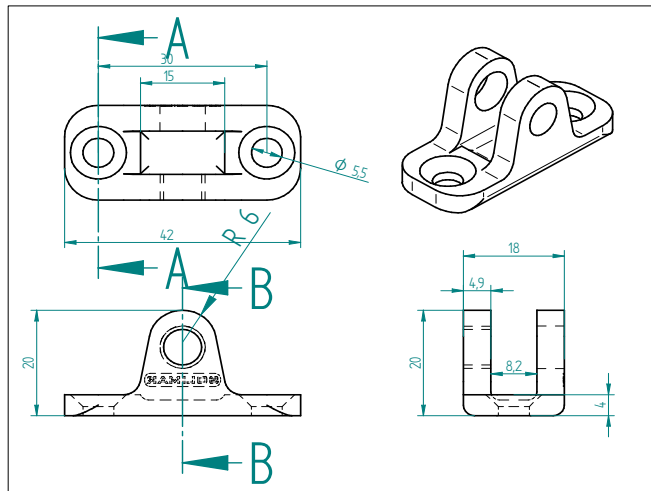
S = JOINT FITTING 6/8 = HOLE FOR PIN

FITTINGS

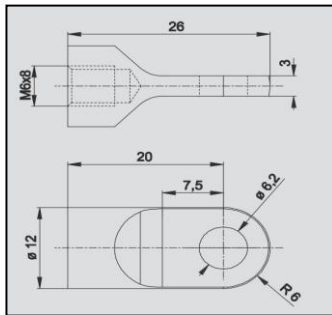
TF8 M8



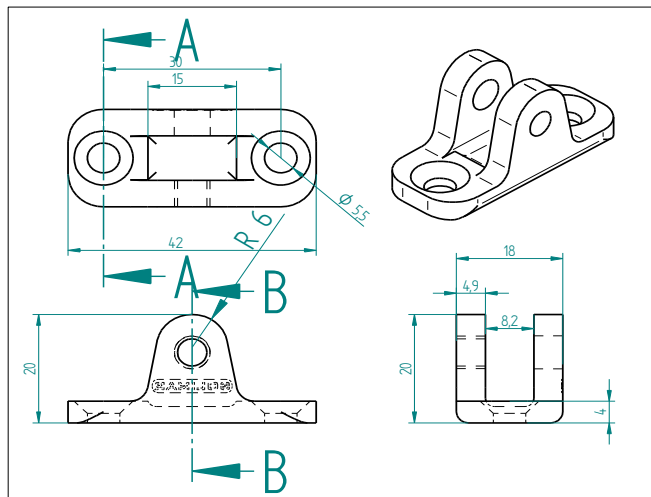
7500X



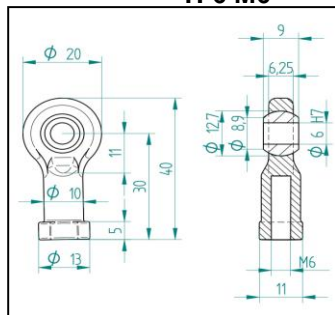
TF7 M6



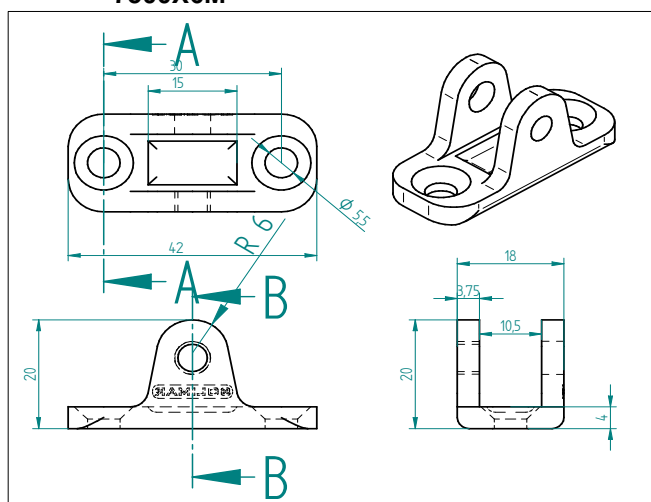
7500X6



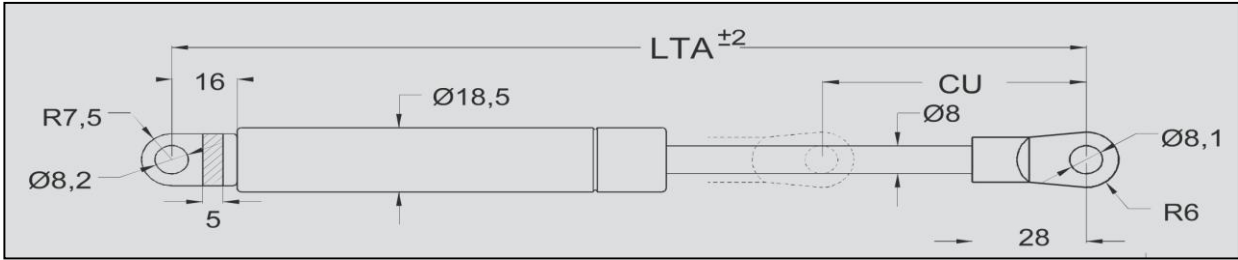
TF6 M6



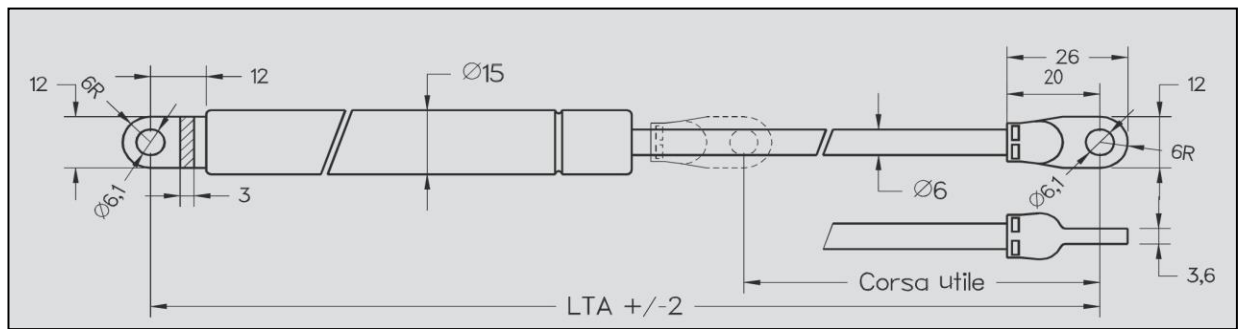
7500X6M



ADJUSTABLE OPENING GAS STRUT



	LTA open (mm)	CU (mm)	LTA closed (mm)	x=Strength (Kg)
SOLIMAR1.xGS	532	195	337	10 - 15 - 20 - 25 - 50



	LTA open (mm)	CU (mm)	LTA closed (mm)	x=Strength (Kg)
SOLIMAR3.6GS	267	90	177	8